

Product Information

Models

Blade Louvers
39° Z-Blade

MCZE439

Price MCZE439 stationary louvers feature alloy 6063-T5 extruded aluminum blades. The louver features a "Z" blade profile in a 4" deep assembly with the blades positioned at a 39° angle. The drainable head and jambs enable the louver to achieve optimum air performance and water penetration ratings. This Z-blade louver is available with visible mullions that are joined with an extruded aluminum "1" connection, or continuous horizontal blades that utilize concealed blade braces and hidden vertical supports in place of jamb frames to present uninterrupted horizontal blade appearance.

Features

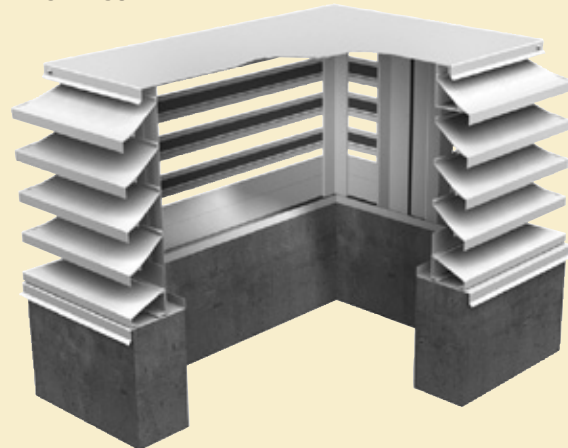
- "J" Blade Profile.
- .081" Extruded Aluminum Blades and Frames.
- Nominal **49.1%** free area (based on 48" x 48").
- Integral perimeter caulking stop.
- 1/2" x 1/2" (12 x 12) 16 gauge Expanded Aluminum Bird Screen without frame.
- Mill finish.
- Continuous Blade Sections (invisible mullions).

Options

- Welded Construction.
- Extended Sill (loose) 14 GA. Aluminum.
- Blank-offs are available in Aluminum with or without Insulation. Insulation is available in 1", 1.5", 2", or 3" thickness.
- Variety of Mounting options.
- Exterior or Interior Frame Mounting.
- Variety of Bird Screens, Insect Screens and Frames available.
- Wide variety of Finishes: Baked Enamel, Prime Coat, Custom Finishes, Clear Anodized and Colour Anodized.
- Select from PRICE Colour Chart or provide colour sample to match.
- Note: Colour variations can be expected within the same order and even on the same louver due to the anodizing process.

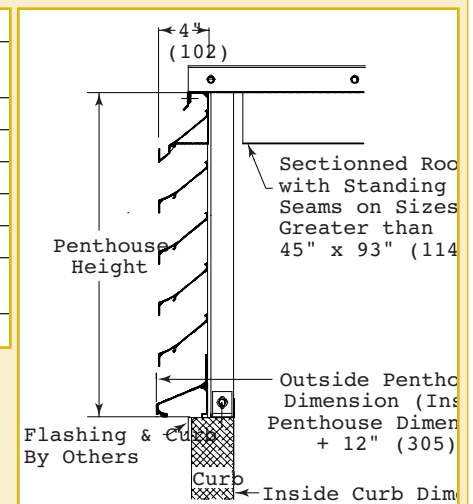
Blade Louvers 4" (102 mm) Deep

MCZE439



Louver Type	Continuous Blade
Material	Extruded Aluminum (Alloy 6063-T5)
Stationary Blade	.081" (2 mm)
Frame	.081" (2 mm)
Louver Depth	4" (102 mm)
Blade Angle	39°
Wind Load	25 psf (100 mph)
Free Area – 48' x 48' x 49.438 Unit	32.35 sq.ft. (3.005 sq.m.)
Percent Free Area	49.1%

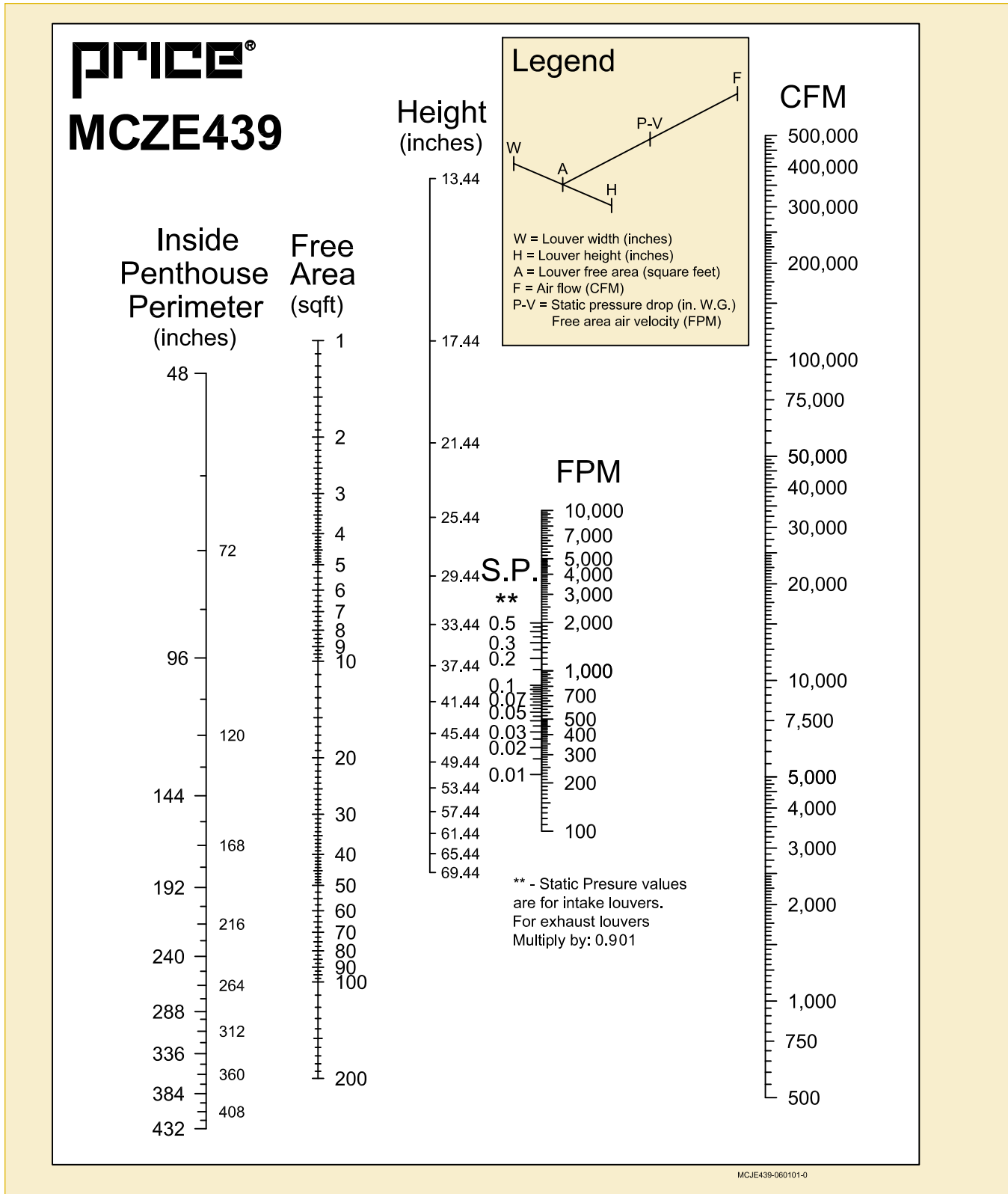
For performance information, please refer to page 4



Extruded Aluminum - Fixed Blades
MCZE439
 39 Degree Z-Blades



Performance Data



LOUVERS

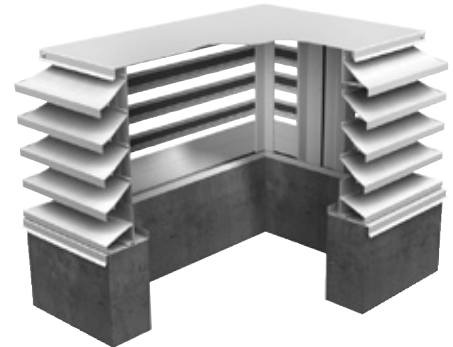
Extruded Aluminum - Fixed Blades
MCZE439
 39 Degree Z-Blades

Mitered Corners Penthouse
4" (102 mm) Deep

Louver Type	Continuous Blade
Material	Extruded Aluminum (Alloy 6063-T5)
Stationary Blade	.081" (2 mm)
Frame	.081" (2 mm)
Louver Depth	4" (102 mm)
Blade Angle	39°
Wind Load	25 psf (100 mph)
Free Area – 48' x 48' x 49.438 Unit	32.35 sq.ft. (3.005 sq.m.)
Percent Free Area	49.1%

Ratings do not include the effect of a bird screen.

MCZE439
Blade Louvers
 4" (102 mm) Deep



Features

- Unique bolted corner design affords excellent alignment of adjoining louver.
- Drain holes at top blade corners.
- Designed for snow load up to 50 psf (2,394 Pa), consult your local representative for higher loading.
- All welded construction: minimum 1" fillet welds.
- Nominal 49% free area (based on 48" x 48" x 49.438").
- Optional bird and insect screens available.
- Optional insulated roof and roof curbs are available.
- Optional Duracron, Duranar and Duranar-XL baked enamel finish as per our standard color chart or any custom color.

ALL-WELDED CONSTRUCTION

